



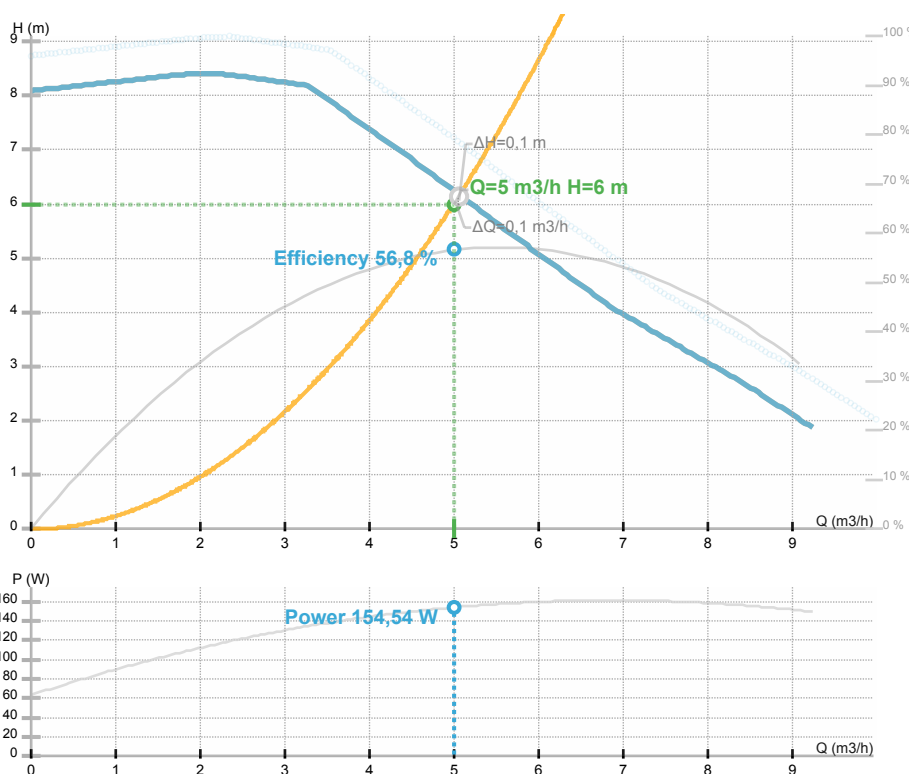
NMT SMART S 32/80-180

979525791

NMT SMART S / Electronically regulated circulating pump

GENERAL

Codice articolo	979525791		
Product name	NMT SMART S 32/80-180		
Seal type		EEl	0,21
Peso	3,85 kg		
H max	8.4 m	H min	0.0 m
Q max	12.3 m3/h	Q min	0.0 m3/h
	%		
Rumorosità' [dB(a)]	≤43 dB(A)		



ELECTRICAL DATA

Alimentazione	1~230 V
Frequenza	50/60 Hz
Potenza motore	150 W
Giri/min	4000 rpm
Classe di isolamento	F (155) °C
Corrente nominale	1.3 A
Classe di protezione	IP44
Thermal protection	NTC
Frame size	
Motor i e class	

INSTALLATION

Fluidi consentiti	Water VDI 2035, glycol 40%
Temperatura fluido	-10.0 ÷ 110.0 °C
Temperatura max. ambiente	40 °C
Interasse	180 mm
DN1	32
Connettore	G 2
Connessione	G 2
Pressione massima	1.0 MPa

MATERIAL

Materiale cuscinetti	Grafite
Materiale girante	PES GF 30
Material corpo pompa	Ghisa
Materiale albero	AISI 420

NMT SMART S 32/80-180

979525791

NMT SMART S / Electronically regulated circulating pump



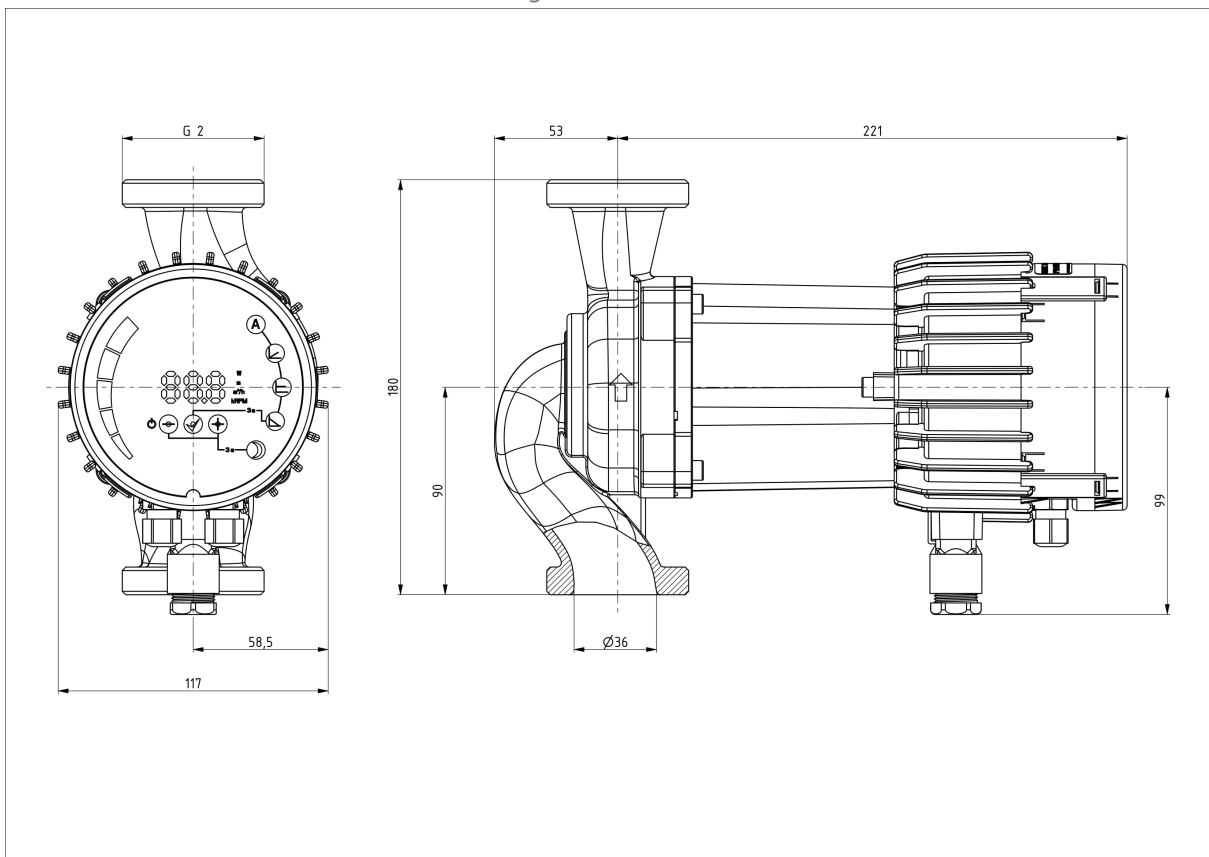


NMT SMART S 32/80-180

979525791

NMT SMART S / Electronically regulated circulating pump

Disegno 1



L=180 l=190 DN=32 D2=2

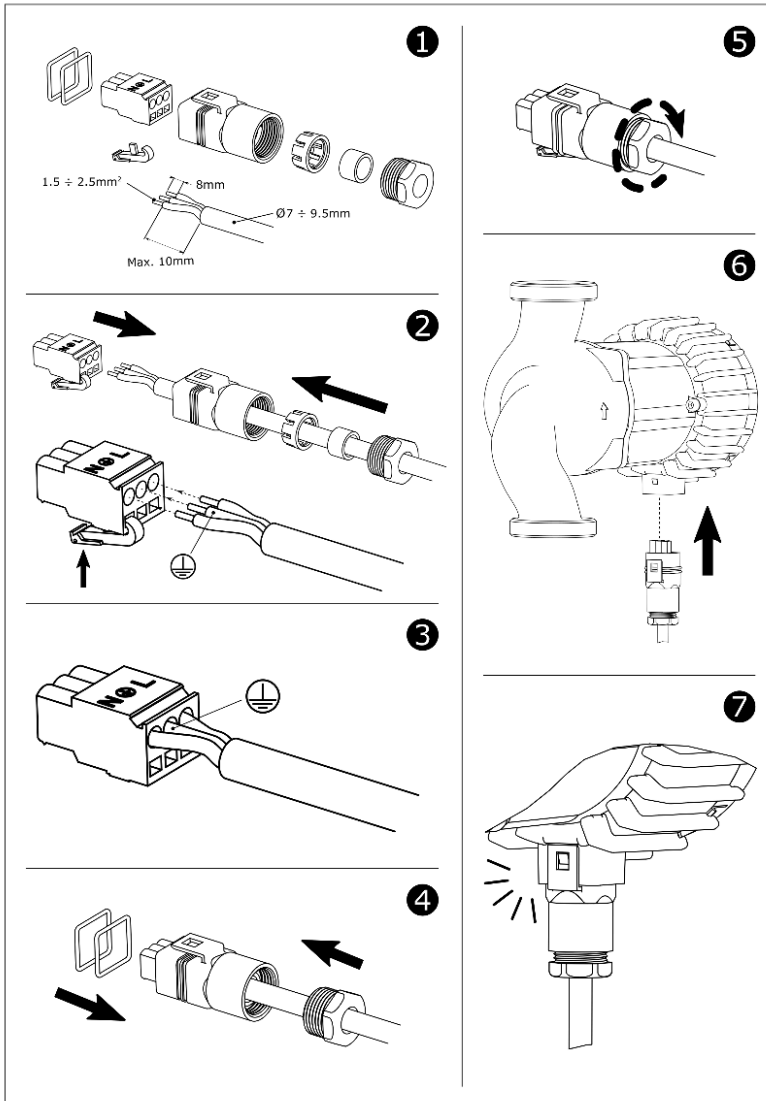


NMT SMART S 32/80-180

979525791

NMT SMART S / Electronically regulated circulating pump

Schema





NMT SMART S 32/80-180

979525791

NMT SMART S / Electronically regulated circulating pump